

Smart Classroom Instructions

For Classrooms - M202, 203, 204 205, D326, G1, Pope 110

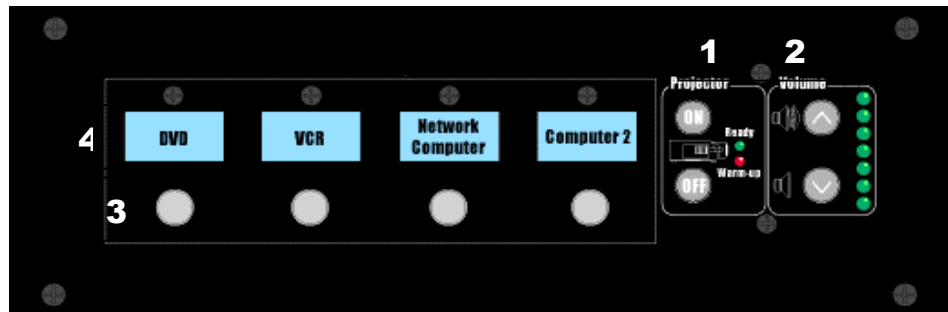
The new podium at the front of the classroom has a keypad lock. **Before** entering the combination, please turn the knob to the left, to clear any previously pressed combinations of buttons. You should feel the reset clicks. Enter the combination carefully, and turn the knob to the right, swing open the door carefully and bring the door all the way around so it touches the magnetic latch on the side of the cabinet.

The top section of the podium lifts up and folds on top to reveal a sunken podium surface with a small desk area, recessed monitor with a network connected computer that has a DVD player, a VCR with remote and all the connections for your laptop.

The control interface is at the far right. If it is not already on, ALWAYS turn the projector (1) on first before you power up the computer or your laptop. The projector must "see" your computer or laptop "boot up" in order to project its image. Laptop connections are bundled on the counter.

Use the Control panel (pictured below) to select (By pushing the labeled button) the equipment you want projected on the screen at the front of the classroom.

- 1 - Projector On/Off
- 2 - Projector Volume
- 3 - Row of Push Buttons to select source
- 4 - Labeled Sources VCR/Laptop/ etc.



The PC inside the podium is connected to the network, and the new CPU has a DVD player you can use. If you use the VCR inside the podium, remember to push the VCR source button (4) in order to switch the projector to that video source. Login to the computer is universal, first initial last name (i.e. pshapiro) and your password for the SPCACC domain so you can access (from any classroom like this) your public or private folder. Training on this subject will be held shortly.

PLEASE - do NOT forget to shut down the equipment properly and close up the podium when finished. Close the top lid first and the door last.

Questions? Look for notice of initial training sessions or contact Peter Shapiro, Dir. Of Instructional Technology at ext. 7215 or by email at shapiro_p@spc.edu

Smart Classroom Instructions

For Classrooms - P207, 211, 212, 301, 306, 308

Most of the equipment here looks familiar. We have added a ceiling mounted LCD projector and a control interface (pictured below) so you can choose what signal should be sent to the projector. This interface also controls the projector. Please see a sample below.

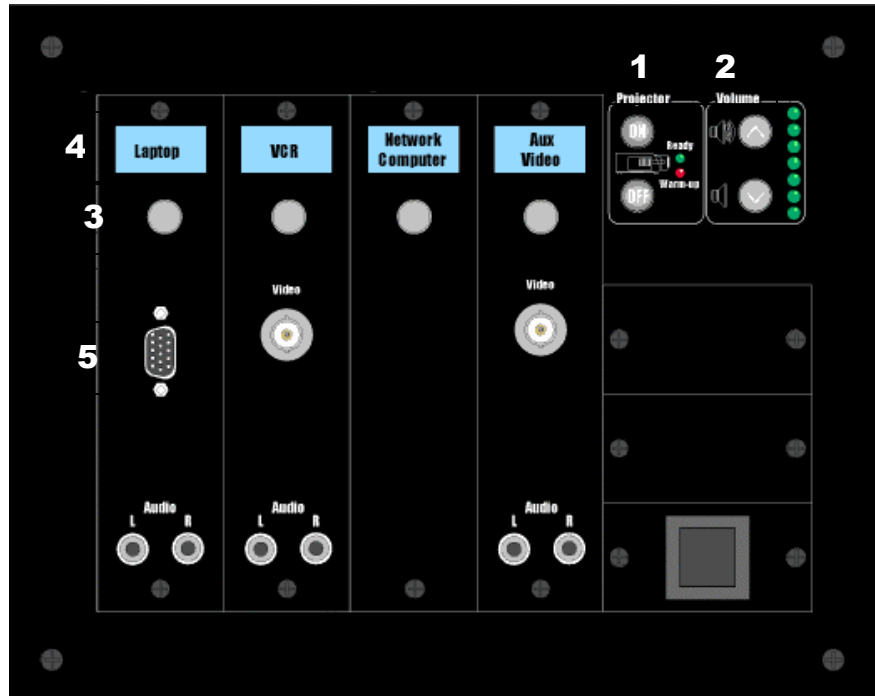
1 - Projector On/Off

2 - Projector Volume

3 - Row of Push Buttons to select source

4 - Labeled Sources
VCR/Laptop/Desk
Computer, etc.

5 - Connectors for rolled in
sources such as a VCR from
IRC



Please note that you have controls at the far right of the interface that turn on (and off) the LCD projector (1), and that also control the volume level (2).

Please also note that the Desk PC is connected, and the new computer CPU has a DVD player you can use. If you request a VCR from IRC, then it can be hooked up directly to the interface under the video switch. Push the VCR button in order to switch the projector to that video source.

There is also a connection for your laptop computer should you decide to bring it and use it in the classroom.